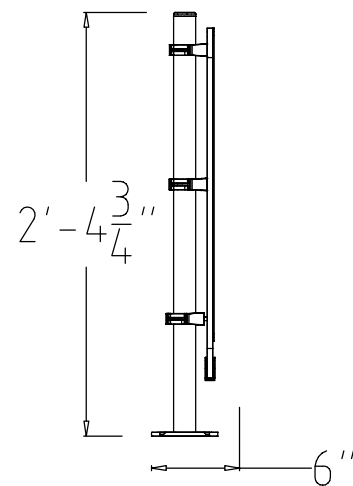
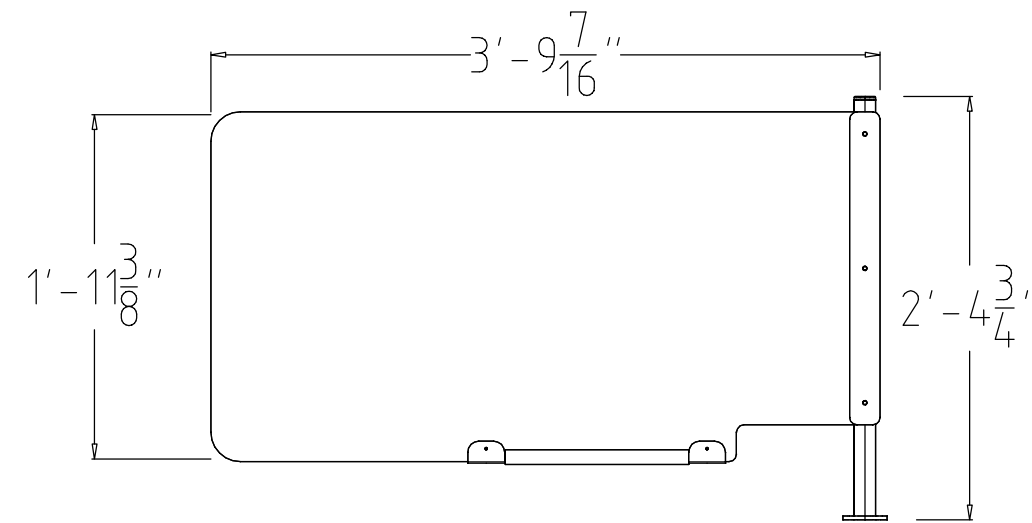


ISOMETRIC VIEW



FRONT ELEVATION



SIDE ELEVATION

NOTES:

COLORS:

Rev:	Date:	Description:	By:

DATE: 04.20.20	SCALE: N.T.S.	PAPER SIZE: 11x17
DRAWN BY: KK	APPROVED BY: LM	SHEET NO: 1

CUSTOMER APPROVAL SIGN OFF

SIGNATURE/DATE:

PROJECT NUMBER: PARTITION

DRAWING NUMBER: 64713/64714

64713/64714
CLEAR/FROSTED
INSIGHT PARTITION

FURNITURE RANGE: INSIGHT

