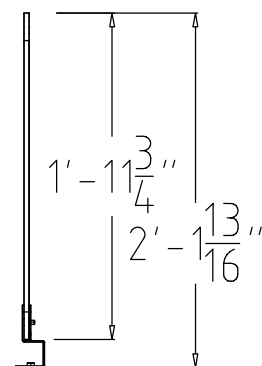
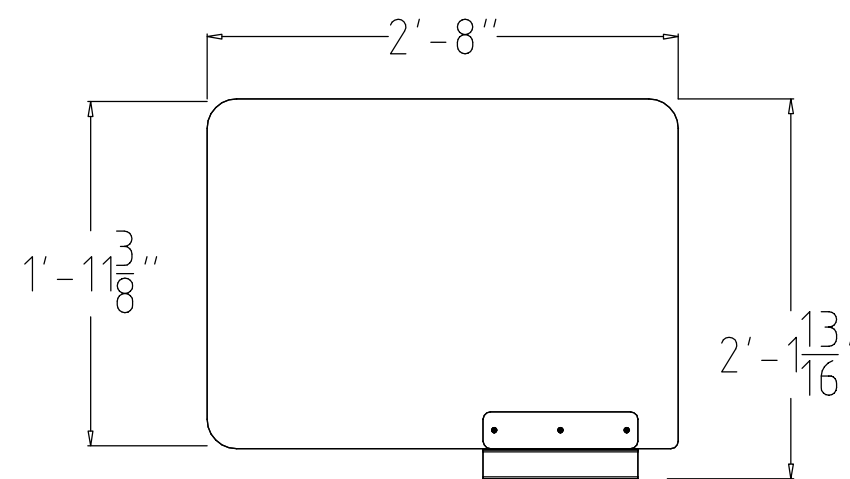


ISOMETRIC VIEW



FRONT ELEVATION



SIDE ELEVATION

NOTES:

COLORS:

Rev:	Date:	Description:	By:

DATE:	SCALE:	PAPER SIZE:
04.20.20	N.T.S.	11x17
DRAWN BY:	APPROVED BY:	SHEET NO:
KK	LM	1

CUSTOMER APPROVAL SIGN OFF

SIGNATURE/DATE:

PROJECT NUMBER: PARTITION

DRAWING NUMBER: 32713/32714

32713/32714
CLEAR/FROSTED
UNIVERSAL SIT/STAND
PARTITION

FURNITURE RANGE: UNIVERSAL SIT/STAND

